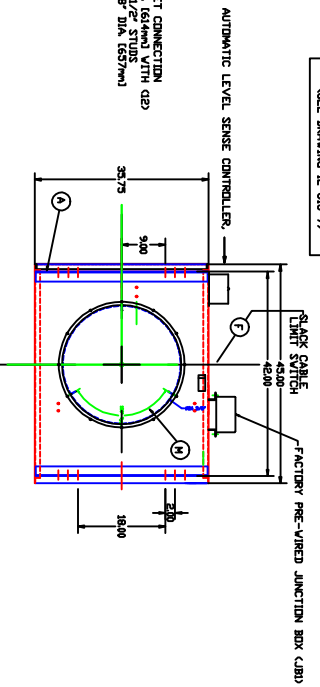


ISSUED FOR:	APPROVAL:
DATE: 03-19-2012	
CERTIFIED	
DATE:	

QUAN. (1) MODEL: EL-240-8V

NOTE: PRODUCT INLET CONNECTS TO DUST COLLECTOR. SEE BRAWING 12-313-77



CONSTRUCTION DATA
PRODUCT CONTACT MATERIAL:
#212/265 BHN A.R. STEEL
#400 BHN A.R. STEEL
#304 STAINLESS STEEL
DURETHANE

CONTROL DATA
DRUM CLASSIFICATION: 4
DRUM VOLUME: 460/260 VAC/25H/60HZ
CONTROL VOLTAGE: 120 VAC

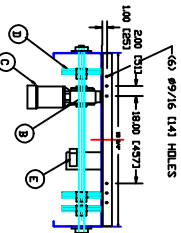
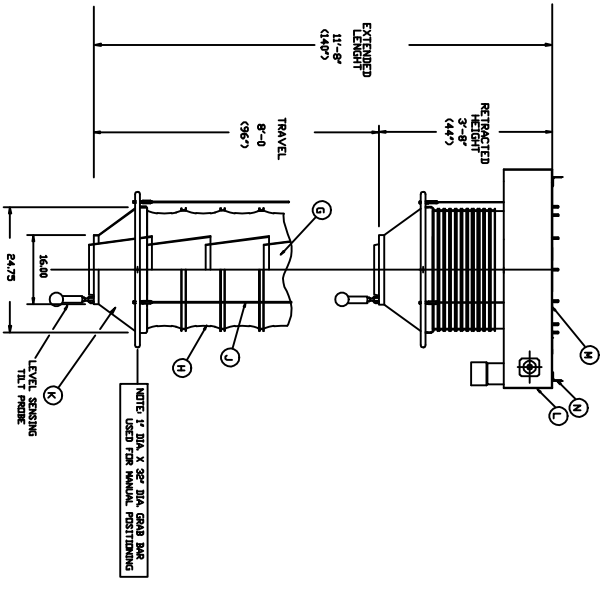
SPECIAL OPTIONS/ACCESSORIES
INCLUDES: AUTOMATIC LEVEL SENSING KIT
FACTORY PRE-WIRING / PENDANT CONTROLLER

MODEL EL-240-8V
ENCLOSED LOADING/RETRACTABLE SPOUT
VENT THRU DESIGN

Loading Capacity = 250 CFM
Average Air Withdrawal = 1000 CFM
Lifting Speed = 16 FPM Average

STANDARD CONSTRUCTION

REF.	TRAVEL LENGTH (FT)-IN	EXT. HEIGHT (LBS)	DESCRIPTION
A-	11'-8"	785	MAIN PAN, 1/2 GA. CARBON STEEL
B-	8'-0"		DRUM REINFORCING RING
C-	3'-8"		DRUM REINFORCING RING, 3 THICK 90 DEG
D-	8'-0"		LIFT TABLE FABRICATED CARBON STEEL
E-	3'-8"		LIFT TABLE SWITCH, NEMA 4
F-	3'-8"		RAKING CABLE LIFT SWITCH, NEMA 4
G-	3'-8"		RAKING CABLE LIFT SWITCH, NEMA 4
H-	3'-8"		RETRACTABLE BELLOWS, 3/8 GA. 60/250 A.R. STEEL
I-	3'-8"		RETRACTABLE BELLOWS, 3/8 GA. 60/250 A.R. STEEL
J-	3'-8"		FABRIC, 1680 ALUMINUM INERT/DUTER RINGS
K-	3'-8"		DISCHARGE ENCLOSURE/LOADING
L-	3'-8"		DISCHARGE BARGE COVER, 1/2 GA. CARBON STEEL
M-	3'-8"		INLET CONNECTION-VENT THRU
N-	3'-8"		SUPPORT ANGLES



LEVEL SENSE CONTROLLER, 8 X 6 X 4

PENDANT CONTROLLER

PROJECT MANAGER:
PROPOSAL/CONTRACT NO.:
EQUIP. NUMBERS:

CUSTOMER:
REQUESTER:
P.O. NO.:
QUOTE NO.:
SERIAL NO.:
DATE:

TOTAL WEIGHT: 785 LBS.

PRODUCT:
DENSITY:
MAX. TEMPERATURE:
LOADING CAPACITY REQ'D.:

REV.	DATE	BY	REVISIONS
1	01-25-2012	AM	

AM MANUFACTURING, LLC
6300 US-31 SOUTH
CHARLEVOIX, MI 49720

SCALE: 1:1
DATE: 02-26-2012

TITLE: ENCLOSED LOADING
RETRACTABLE SPOUT

DRAWING NO.
12-313-8